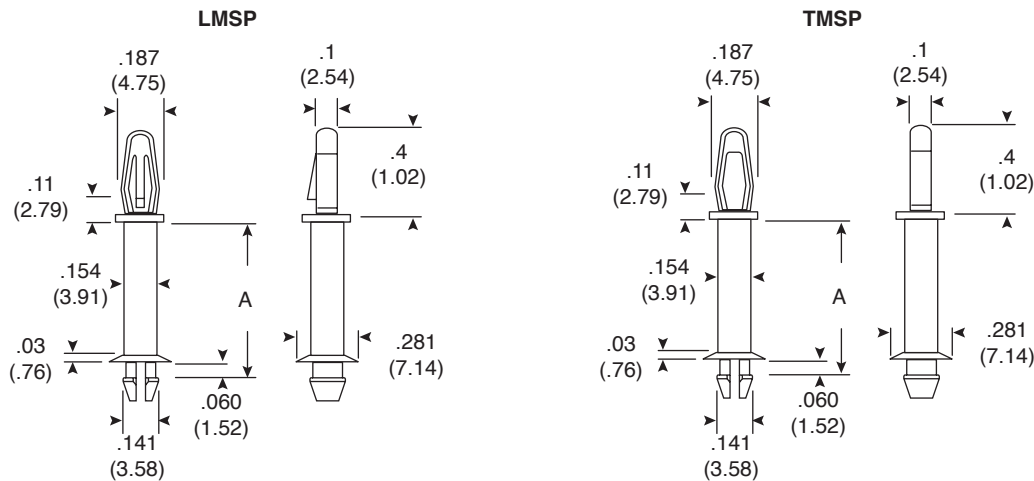


561-LMSP125, 561-LMSP250, 561-LMSP312, 561-LMSP375, 561-LMSP437, 561-LMSP500, 561-LMSP625, 561-LMSP750, 561-LMSP875, 561-LMSP1000, 561-TMSP125, 561-TMSP250, 561-TMSP312, 561-TMSP375, 561-TMSP437, 561-TMSP500, 561-TMSP625, 561-TMSP750, 561-TMSP875, 561-TMSP1000

Date Last Revised: 10-24-06



Dimensions: in. (mm)

- Spring end fits .156" hole
- Lock or tension end fits .125" hole
- Panel thickness 1/16"

SPECIFICATIONS

Mouser Num.	Description	A in. (mm)	Mouser Num.	Description	A in. (mm)
561-LMSP125	LMSP125	.125 (3.175)	561-TMSP125	TMSP125	.125 (3.175)
561-LMSP250	LMSP250	.25 (6.35)	561-TMSP250	TMSP250	.25 (6.35)
561-LMSP312	LMSP312	.312 (7.93)	561-TMSP312	TMSP312	.312 (7.93)
561-LMSP375	LMSP375	.375 (9.53)	561-TMSP375	TMSP375	.375 (9.53)
561-LMSP437	LMSP437	.437 (11.1)	561-TMSP437	TMSP437	.437 (11.1)
561-LMSP500	LMSP500	.5 (12.7)	561-TMSP500	TMSP500	.5 (12.7)
561-LMSP625	LMSP625	.625 (15.88)	561-TMSP625	TMSP625	.625 (15.88)
561-LMSP750	LMSP750	.75 (19.05)	561-TMSP750	TMSP750	.75 (19.05)
561-LMSP875	LMSP875	.875 (22.25)	561-TMSP875	TMSP875	.875 (22.25)
561-LMSP1000	LMSP1000	1 (25.4)	561-TMSP1000	TMSP1000	1 (25.4)

Available from Mouser Electronics
1-800-346-6873
www.mouser.com

EPD-200450